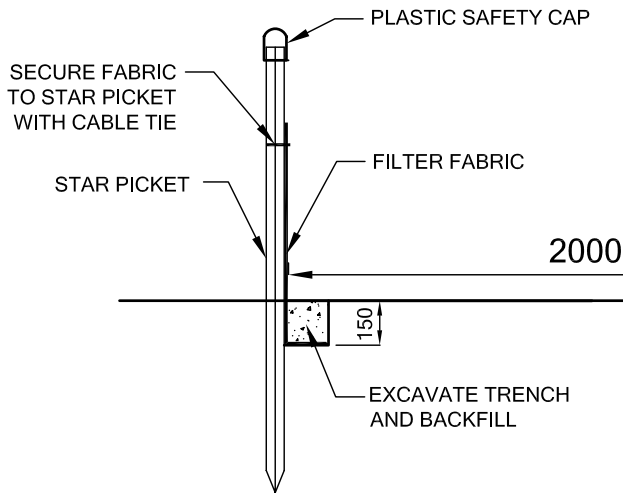


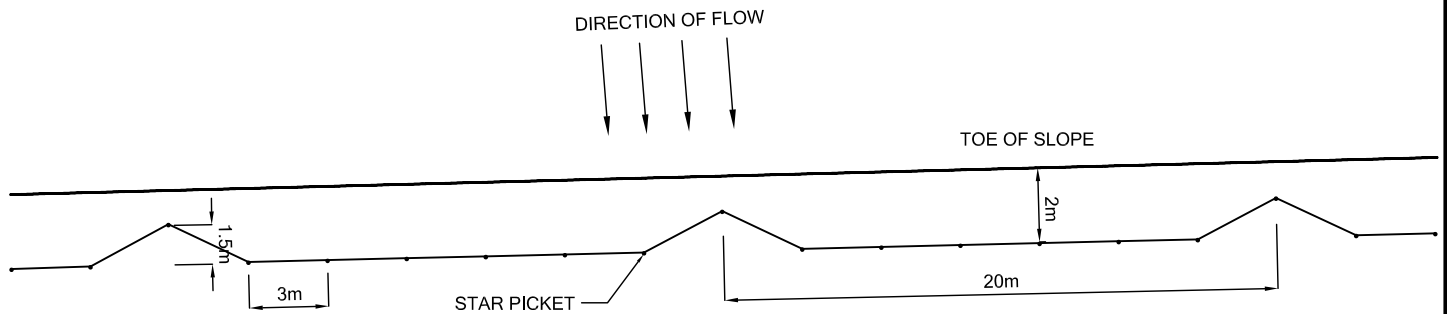
**FRONT ELEVATION**



**SECTION A-A**

**INSTALLATION NOTES:**

1. EXCAVATE TRENCH APPROX. 150mm DEEP
2. PLACE FILTER FABRIC IN TRENCH AS SHOWN
3. BACKFILL TO PREVENT WATER PASSING UNDER FILTER FABRIC



**PLAN**

**APPLICATIONS:**

1. LOWEST PERIMETER OF SITE
2. IMMEDIATELY DOWNSTREAM OF EARTH / ROCK STOCKPILES
3. IMMEDIATELY UPSTREAM OF GRASS BUFFER ZONES
4. ALONG CONTOURS FOR PROGRESSIVE FILTERING

**INSTALLATION NOTES (CONTINUED):**

4. PLACE STAR PICKET 1.5m UPSLOPE ONCE EVERY 20m TO CONTROL WATER VOLUME FLOWING THROUGH EACH SECTION
5. FENCE TO BE CONSTRUCTED 2m FROM TOE OF SLOPE
6. ACCUMULATED SEDIMENT TO BE REMOVED AND DISPOSED OF PERIODICALLY AND AFTER HEAVY RAINFALL
7. ACCUMULATED SEDIMENT TO BE REMOVED WHEN FENCE IS NO LONGER REQUIRED

AMENDMENTS	DATE		<b>SEDIMENT FENCE</b> MANAGER CIVIL DEVELOPMENT SERVICES 	DRAWN BY: AC
				DATE: JAN '07
				SCALE: N.T.S.
				DRAWING NO.: SD / S2