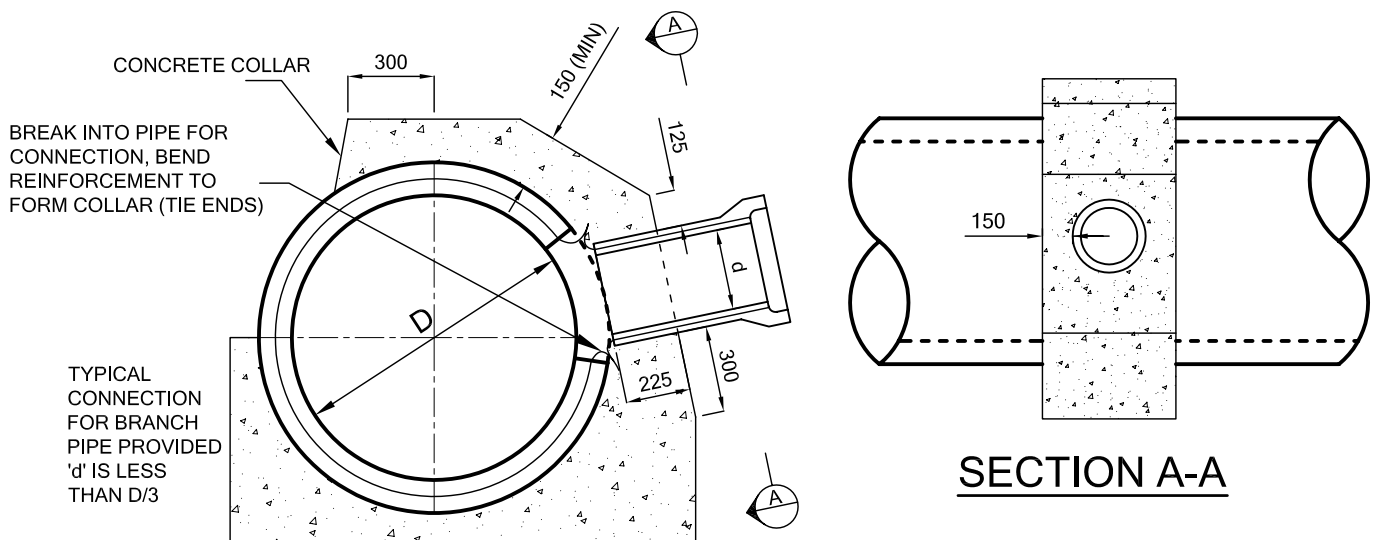


**PLAN**

**TYPE A (FIBRE REINFORCED CONCRETE PIPE)**



**SECTION A-A**

**TYPE B (REINFORCED CONCRETE PIPE)**

**NOTES:**

1. ALL DIMENSIONS ARE IN MILLIMETRES UNLESS STATED OTHERWISE
2. ALL CONCRETE SHALL BE 25MPa MINIMUM STRENGTH
3. REINFORCEMENT IN BOTH PIPES TO BE CUT AND FORMED INTO COLLAR. ALL CARE SHALL BE TAKEN TO PREVENT DAMAGE TO PIPE
4. CEMENT MORTAR JOINING TO BE NEATLY RENDERED ON THE INSIDE OF THE PIPE
5. BRANCH PIPE IS TO POINT DOWNSTREAM UNLESS SPECIAL APPROVAL IS GIVEN FOR 90° CONNECTION
6. BRANCH PIPE SHALL NOT PROJECT INTO MAIN PIPE
7. TYPE B TO BE USED ONLY WHERE SADDLE CONNECTION IS NOT AVAILABLE
8. SADDLE JUNCTIONS ARE TO BE INSTALLED TO MANUFACTURERS SPECIFICATIONS

<b>AMENDMENTS</b>			<b>PIPE CONNECTIONS</b> (Ø300 BRANCH PIPE AND ABOVE)	DRAWN BY: WDA
SADDLE CONNECTION				DATE: JAN '07
UPDATED NOTES & DETAILS				SCALE: N.T.S.
				DRAWING NO.: SD / D1
			MANAGER CIVIL DEVELOPMENT SERVICES	