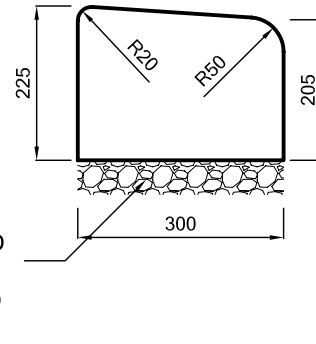
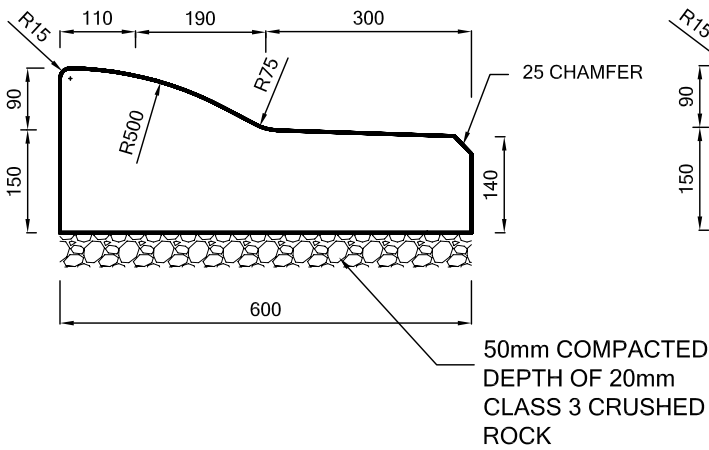


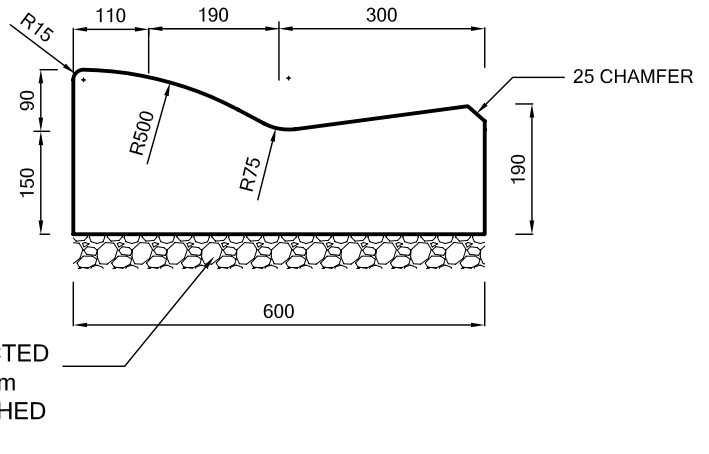
BARRIER KERB & CHANNEL



FULLY MOUNTABLE KERB



**REVERSE FALL CHANNEL
ROLLOVER KERB**



ROLLOVER KERB & CHANNEL

* REVERSE FALL KERB & CHANNEL ONLY TO BE USED WHEN THERE IS MINIMAL RISK OF RUNOFF CONTAINING DEBRIS FLOWING ACROSS ROAD

NOTES:

1. ALL DIMENSIONS ARE IN MILLIMETRES UNLESS STATED OTHERWISE.
2. CONCRETE SHALL BE 32MPa MINIMUM STRENGTH

AMENDMENTS	DATE		<p>KERB PROFILES</p> <p>MANAGER CIVIL DEVELOPMENT SERVICES</p> 	DRAWN BY:	
ORIGINAL - WDA	8/97			DRAWN BY:	WDA
UPDATED DETAILS & NOTES	1/07			DATE:	JAN '07
				SCALE:	N.T.S.
				DRAWING NO.:	
				SD / B1	